

# Series 70M



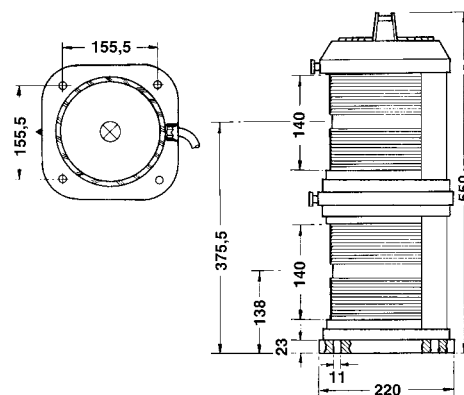
## Double lens navigation lights



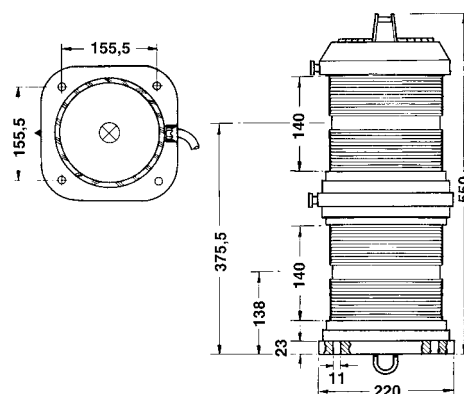
Easy change of bulb with only one hand

- Unbreakable and extremely reliable
- Main and stand-by light in one housing

Application	For all vessels $\geq 20$ m in length
Approvals	a) International according to IMO Colreg 1972, in Scandinavian countries too, in Germany through BSH, other countries in particular see list of approvals. b) US-Coastguard. These lights may only be used on ships flying the flags of the USA.
Housing	Polycarbonate, glass fibre reinforced, other components of non-corrosive materials. Housing self-ventilated. Nonmagnetic, seawater resistant.
Finish	Mat black
Optic	Seawater resistant, special plastic Fresnel lens 3 n.m., masthead light 6 n.m.
Electric	Main lighting (upper unit) and spare lighting (lower unit) each come with 1.5 m special connection cable 2 x 1.5 mm <sup>2</sup> , self-protective insulation, class II
Light source	Easy to change. 2 tungsten bulbs.
Mounting	Base flange attachment, 4 screws (not included). Allround lights may also be hoisted. Additional mounting aids see drawing.
Connection	2 special cable glands metric pressure screw M24 x 1.5 with protection against buckling



Hoistable version (allround lights)



## Spare Parts/Accessories

**\*23073002** ●  
**\*23074001** ●  
**\*23071001** ●  
**\*23072001** ●

**\*83070003**  
**\*95000074**  
**\*63070049**  
**\*83580007**  
**\*83580009**  
**\*63070049**  
**\*83070001 (= 4x)**  
**\*39060010 (= 2x)**

**\*97200035 24 V**  
**\*97100034 230 V (Brass)**  
**\*97100035 230 V (Plastic)**  
**\*97100036 24-110 V (Brass)**  
**\*97100037 24-110 V (Plastic)**  
**\*83070009**

**\*97200035 24 V**  
**\*97100034 230 V (Brass)**  
**\*97100035 230 V (Plastic)**  
**\*97100036 24-110 V (Brass)**  
**\*97100037 24-110 V (Plastic)**  
**\*83070009**

	IMO	BSH	CCS	USCG
<b>A</b> ●	<b>*83070005</b>	<b>*83070018</b>		
●	<b>*83070006</b>	<b>*83070019</b>		
○ 6 n.m.	<b>*83070004</b>	<b>*83070017</b>		
○ 3 n.m.	<b>*83072001</b>	<b>*83072005</b>		
●	<b>*83070007</b>	<b>*83072006</b>		
Socket	(P 28s)	(P 28s)		
<b>B</b>	24 V / 40 W <b>*90400171</b>	<b>*90400171</b>		
	110 V / 60 W <b>*90400172</b>	<b>*90400172</b>		
	230 V / 65 W <b>*90400173</b>	<b>*90400173</b>		
<b>C</b>	<b>*83070008</b>	<b>*83070022</b>		
<b>D</b>	<b>*83070002</b>	<b>*83070021</b>		
<b>E</b>	<b>*63070014</b>	<b>*23070074</b>		

● Starboard ● Port ● Masthead ● Stern ● Signalling

Product	Part-No.	Part-No.	Part-No.	Part-No.	Part-No.	Part-No.	Part-No.
	24V/24V 40W/40W	110V/110V 60W/60W	230V/230V 65W/65W	24V/230V 40W/65W	24V/110V 40W/60W	110/230V 60W/65W	USCG 24/110/230V*
70M STARBOARD GREEN	3583103000	3583103000	3583105000	3583106000	3583107000	3583108000	3583109000
70M PORT RED	3584203000	3584203000	3584205000	3584206000	3584207000	3584208000	3584209000
70M MASTHEAD WHITE	3581003000	3581003000	3581005000	3581006000	3581007000	3581008000	3581009000
70M STERN WHITE	3582703000	3582703000	3582705000	3582706000	3582707000	3582708000	3582709000
70M STERN YELLOW	3582403000	3582403000	3582405000	3582406000	3582407000	3582408000	3582499000
70M SIGNAL WHITE	3580703000	3580703000	3580705000	3580706000	3580707000	3580708000	3580009000
70M SIGNAL RED	3580203000	3580203000	3580205000	3580206000	3580207000	3580208000	3580209000
70M SIGNAL GREEN	3580103000	3580103000	3580105000	3580106000	3580107000	3580108000	3580109000
70M SIGNAL YELLOW	3580403000	3580403000	3580405000	3580406000	3580407000	3580408000	3580499000

\*Lamp not included, for USCG

Product	Visible angle	Weight kg	Base code
70M STARBOARD GREEN	112.5°	5.9	P28s
70M PORT RED	112.5°	5.9	P28s
70M MASTHEAD WHITE	225°	5.9	P28s
70M STERN WHITE	135°	5.9	P28s
70M STERN YELLOW	135°	5.9	P28s
70M SIGNAL WHITE	360°	5.6	P28s
70M SIGNAL RED	360°	5.6	P28s
70M SIGNAL GREEN	360°	5.6	P28s
70M SIGNAL YELLOW	360°	5.6	P28s

Complete assortment on [www.glamox.com/gmo](http://www.glamox.com/gmo)