

ML Series

AUTOMATIC CHARGING RELAYS

500 Amp magnetic latching (bi-stable) relay automatically combines batteries during charging and isolates batteries when discharging and when starting engine

- Start Isolation (SI) can be configured for temporary isolation of House loads from Engine circuit during engine cranking to protect sensitive electronics
- Engine Isolation (EI) can be configured for isolation of two engines while both are running to protect engine electronics and maximize alternator output
- Manual override knob provides an added level of safety allowing control with or without power and offering LOCKED OFF capability for servicing
- Senses charging on two battery banks
- LED output to remotely indicate switch state - requires optional LED or Remote Control Contura Switch with integrated LED (included in retail package)
- Tin-plated copper studs for maximum conductivity and corrosion resistance
- One-piece stainless flange nuts ensure safe and secure connections
- Label recesses for circuit identification



7622



7620



2146 Remote Control Contura Switch
Action: ON-OFF-ON
Included in retail package



Deutsch DTM Cable End provided on bulk units. Other connector plugs are available for high volume OEM applications

Wire Harness Connections

Wire Color	Circuit Function
Red	Remote
Black	Ground
Yellow	LED Output
Brown	SI/EI #1
Green	SI/EI #2
Orange	SI/EI #3

Related Products



9160 Paralleling Link Bus
For paralleling ML-Remote Battery Switches and Automatic Charging Relays

- Tin-plated copper for maximum conductivity and corrosion resistance
- Sold individually

ML Series

AUTOMATIC CHARGING RELAYS

Specifications	7620, 7622	7621, 7623
Live Current Switching	10,000 Cycles	10,000 Cycles
Combine (30 sec.)	13.5V DC	27.0V DC
	(2 min.)	13.0V DC
Open (10 sec.)	12.35V DC	24.7V DC
	(30 sec.)	12.75V DC
Over Voltage Lockout	16.2V DC	32.4V DC
Under Voltage Lockout	9.6V DC	19.2V DC
Under Voltage Recovery	10.0V DC	20.0V DC

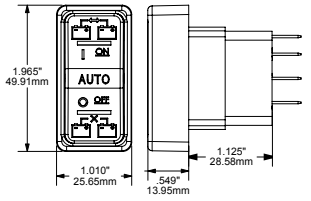
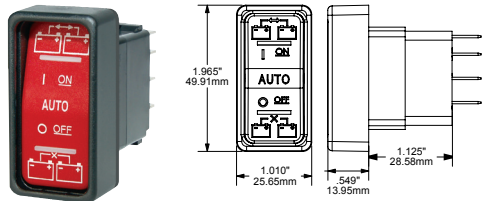
PN	Cable End	Packaged
7620	Stripped Wire	Retail
7620100B	Deutsch DTM	Bulk
7622	Stripped Wire	Retail
7622100B	Deutsch DTM	Bulk
7621	Stripped Wire	Retail
7621100B	Deutsch DTM	Bulk
7623	Stripped Wire	Retail
7623100B	Deutsch DTM	Bulk
9160	Paralleling Link Bus	Retail

Regulatory
 CE marked, Meets ISO 8846 and SAE J1171 external ignition protection requirements
 IP66—protected against powerful water jets (see inside back cover)

Remote Control Contura Switch (PN 2146)

Specifications	
Amperage Operating Current (LED)	18mA
Temperature Range	-40°C to 85°C
Pole/Throw	SPDT
Lighting	LED rated 100,000 hours half-life
Seals	Internal and external gasket panel seal
Mounting Hole	1.45" x 0.83" (36.83 mm x 21.08 mm)

Regulatory
 Meets UL 1500 and ISO 8846 external ignition protection requirements
 IP67—protected against immersion up to 1 meter for 30 minutes



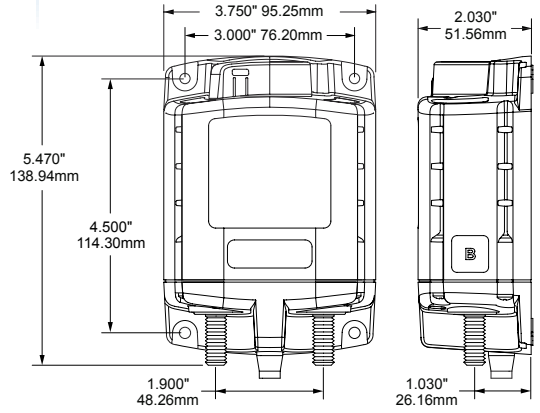
Selection Chart

Choose the right Automatic Charge Relay for your application



PN	7620*	7622*	7621*	7623*
Manual Control	-	Yes	-	Yes
Nominal Voltage	12V DC	12V DC	24V DC	24V DC
Cranking Rating (10 sec.)	2,500A DC			
Cranking Rating (1 min.)	1,100A DC			
Intermittent Rating (5 min.)	700A DC			
Continuous Rating	500A DC			
Amperage Operating Current - continuous @ 25°C nominal VDC	< 13mA			
Amperage Operating Current - when changing state	< 7.0A DC		< 4.0A DC	
Switching Cycles	100,000			
Coil Function	Magnetic Latching, Auto-Releasing			
Control Switch Included	2146 SPDT ON-OFF-ON			
Control Circuit Connection	Tinned Wire			
Mounting	#10 or M5			
Terminal Stud Size	3/8"-16 (M10)			
Terminal Stud Length	7/8" (22 mm)			
Maximum Terminal Stud Torque	140 in-lb (15.8 Nm)			
Cable Size to Meet Ratings	4/0 AWG (120 mm ²) x 2			
Terminal Ring Diameter Clearance	1.12" (28.4 mm)			

* Bulk units available that incorporate Deutsch DTM Connectors. Other connector plugs are available for high volume OEM applications.



425 Sequoia Drive
 Bellingham, WA 98226 USA
 p 360.738.8230
 p 800.222.7617 USA and Canada
 f 360.734.4195
 conductor@blueseas.com
 www.blueseas.com

Specifications subject to change.
 See blueseas.com for current information.
 6838 Rev.006