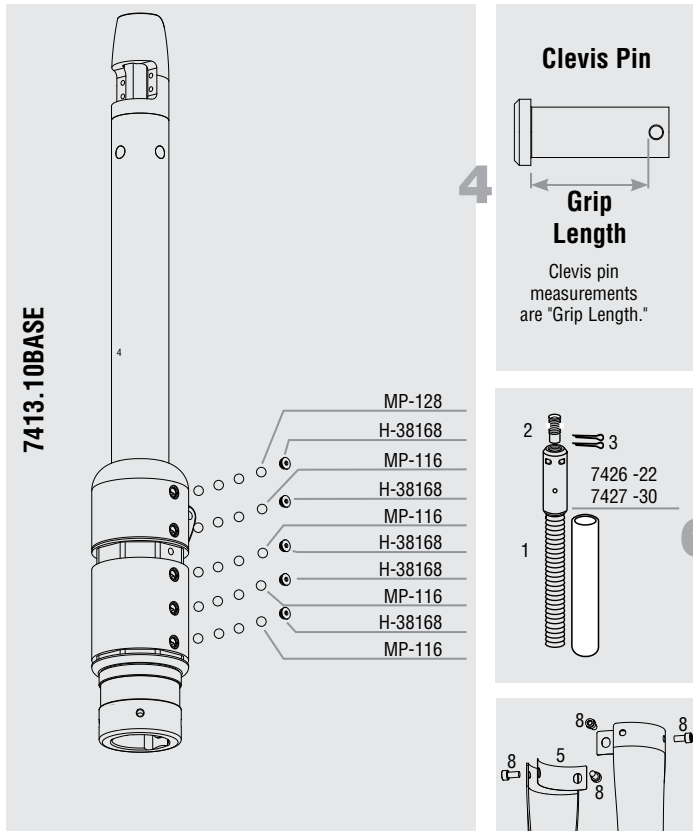


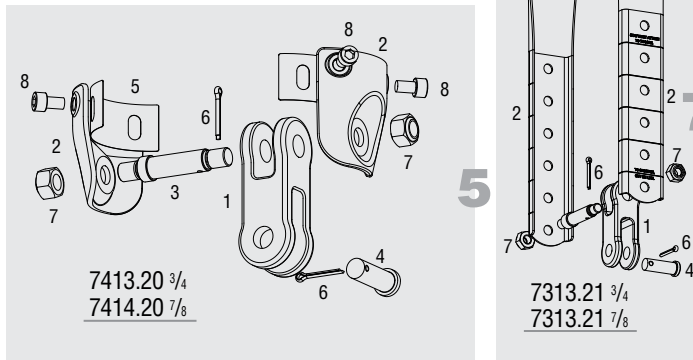
Description	Order	Part No.
<b>1 Top cover</b>	2	H-45412
<b>Top cover screw (M5 X 16 mm FH)</b>	2	HFS1091
<b>Bottom flange</b>	2	H-45413
<b>Bottom flange screw (M5 X 12 mm FH)</b>	2	HFS1060
<b>2 Guard</b>	2	H-45562
<b>Guard screw (M10 X 65 mm FH)</b>	2	HFS1168
<b>3 Clamp</b>	1	H-45264
<b>Clamp screw (M8 X 25mm FH)</b>	4	HFS1107
<b>4 Hub assembly</b>	1	7413.10BASE
Ball plugs	5	H-38168
Torlon® ball bearing (1/2")	25	MP-128
Delrin® ball bearing (1/2")	100	MP-116

# UNIT 3



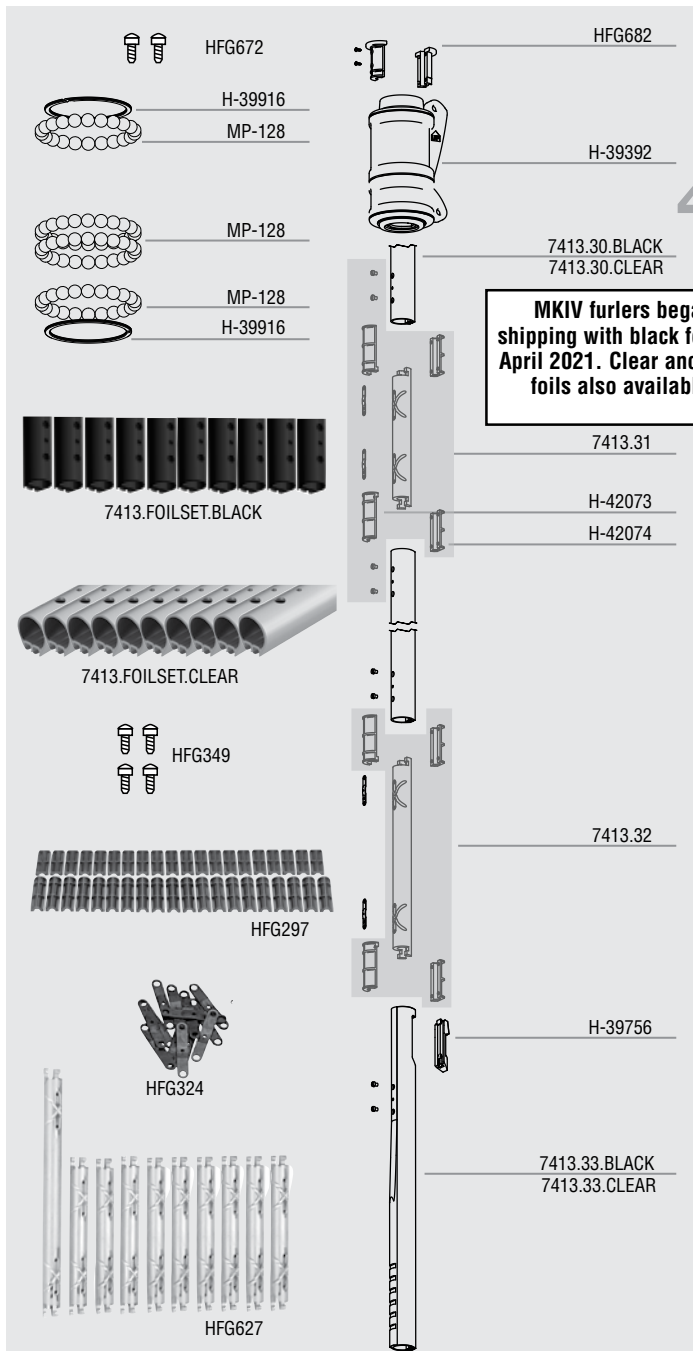
No.	Description	Order	Part No.
<b>5 Jaw/jaw toggle with short link plates</b>	<b>1 7413.20 3/4</b>		
1 Toggle	1	H-41489	
2 Plates	2	H-45334	
3 Crosspin	1	H-42583	
4 Clevis pin (3/4" X 1.766:GR 302SS)	1	H-42403	
5 Isolator	2	H-42585	
6 Cotter pin (5/32" X 1.250 18-8)	2	HFS203	
7 Nylon locking nut	2	HFS991	
8 Socket head cap screw	4	HFS903	
<b>Jaw/jaw toggle with short link plates</b>	<b>1 7413.20 7/8</b>		
1 Toggle	1	H-42562	
2 Plates	2	H-45334	
3 Crosspin	1	H-42584	
4 Clevis pin (7/8" X 1.958" 302SS)	1	H-42404	
5 Isolator	2	H-42585	
6 Cotter pin (5/32" X 1.250 18-8)	2	HFS203	
7 Nylon locking nut	2	HFS991	
8 Socket head cap screw	4	HFS903	

No.	Description	Order	Part No.
<b>6 Rod adapter stud (-22) w/nosepiece</b>	<b>1 7426 -22</b>		
1 Stud (main body)	1	H-41812	
2 Nosepiece -22	1	H-41811	
3 Cotter pin (3/32 x 1.750)	2	HFG319	
4 Stud cap 7/8" ID	1	HFG303	
<b>Rod adapter stud (-30) w/nosepiece</b>	<b>1 7427 -30</b>		
1 Stud (main body)	1	H-41814	
2 Nosepiece -30	1	H-41813	
3 Cotter pin (3/32 x 1.750)	2	HFG319	
4 Stud cap 7/8" ID	1	HFG303	

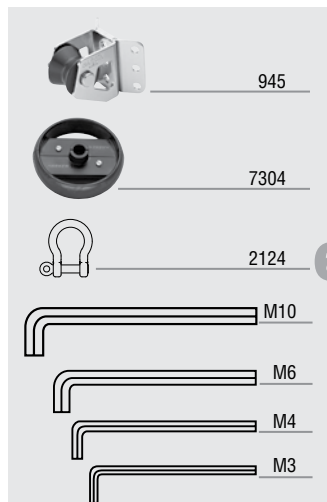
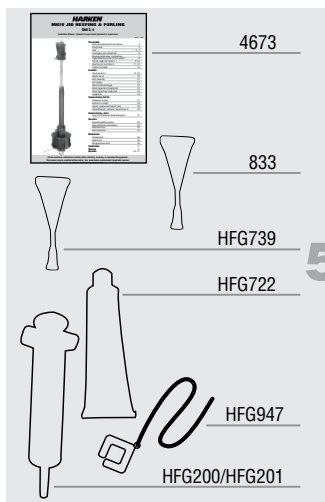


No.	Description	Order	Part No.	Part No.
<b>7 Long link plate w/toggle</b>			<b>7313.21 3/4</b>	<b>7313.21 7/8</b>
1 Toggle	1	H-41489	H-42562	
2 Plates	2	H-42568	H-42568	
3 Upper clevis pin (custom)	1	H-42583	H-42584	
4 Lower clevis pin	1	H-42403	H-42404	
5 Isolator	2	H-42585	H-42585	
6 Cotter pin	2	HFS203	HFS203	
7 Nylon locking nut	2	HFS991	HFS991	
8 Socket head cap screw	4	HFS903	HFS903	

Delrin is a registered trademark of E. I. du Pont de Nemours and Company or its affiliates. Torlon is a registered trademark of Solvay Advanced Polymers



MKIV furlers began shipping with black foils in April 2021. Clear anodized foils also available.



4

4

Description	Order	Part No.
<b>Trim cap set w/o screws</b>	<b>1</b>	<b>HFG682</b>
<b>Trim cap screw set</b>	<b>1</b>	<b>HFG672</b>
Trim cap screw	2	HFS1127
<b>Halyard swivel</b>	<b>1</b>	<b>H-39392</b>
Clip/smalle ring for balls	2	H-39916
Torlon® ball bearings	88	MP-128
<b>Foil set, less bottom foil - Standard</b>	<b>1</b>	<b>7413.FOILSET.BLACK</b>
Foil (7' / 2.13 m luff)	10	7413.30.BLACK
<b>Foil (2' / 610 mm) bottom - Standard</b>	<b>1</b>	<b>7413.33.BLACK</b>
<b>Foil set, less bottom foil - (Special order)</b>	<b>1</b>	<b>7413.FOILSET.CLEAR</b>
Foil (7' / 2.13 m luff)	10	7413.30.CLEAR
<b>Foil (2' / 610 mm) bottom - (Special order)</b>	<b>1</b>	<b>7413.33.CLEAR</b>
<b>Foil screw set</b>	<b>1</b>	<b>HFG349</b>
Foil screw	46	HFS1106
<b>Connector kit</b>	<b>1</b>	<b>7413.31</b>
Connector (247 mm / 9 3/4")	1	—
Connector bushing A	2	H-42073
Connector bushing B	2	H-42074
Foil screw	2	HFS1106
Plastic connector wedge	2	H-39487
<b>Bottom connector kit</b>	<b>1</b>	<b>7413.32</b>
Bottom connector (355 mm / 14")	1	—
Connector bushing A	2	H-42073
Connector bushing B	2	H-42074
<b>Connector set (No bushings,wedges or screws included)</b>	<b>1</b>	<b>HFG627</b>
Connector (247 mm / 9 3/4")	9	—
Bottom connector (355 mm / 14")	1	—
<b>Connector bushing set</b>	<b>1</b>	<b>HFG297</b>
Connector bushing A (curved/longer)	20	H-42073
Connector bushing B (flat/shorter)	20	H-42074
<b>Plastic connector wedge set</b>	<b>1</b>	<b>HFG324</b>
Plastic connector wedge	22	H-39487
<b>Feeder with screw and tab</b>	<b>1</b>	<b>H-39756</b>
Feeder tab	1	H-38372A
Screw	1	HFS1130

# UNIT 3

Description	Order	Part No.
<b>5 Instruction manual</b>	<b>1</b>	<b>4673</b>
<b>Blue Loctite®adhesive</b>	<b>1</b>	<b>833</b>
<b>Red Loctite®adhesive</b>	<b>2</b>	<b>HFG739</b>
<b>5200 adhesive set</b>	<b>1</b>	<b>HFG725</b>
5200 marine adhesive sealant	1	HFG722
Injector	1	HFG200 HFG201
<b>Prefeeder</b>	<b>1</b>	<b>947</b>

Description	Order	Part No.
<b>6 Halyard restrainer (optional)</b>	<b>1</b>	<b>945</b>
Sheave/ss inner race only	1	945A
Clevis pin (1/4" x 1.0625" 18-8)	1	HCP208
Bracket-large	1	HCP394
Cotter pin (1/16" x .500" 18-8)	1	HFS181
<b>Halyard deflector</b>	<b>1</b>	<b>7304</b>
<b>Shackle</b>	<b>3</b>	<b>2124</b>
<b>Hex keys</b>		
M10	1	HFG647
M6	1	HFG644
M4	1	HFG640
M3	1	HCP1089