

XPA

INSTALLATION TRAINING

FEB 2021



Mobile living made easy.

SeaStar

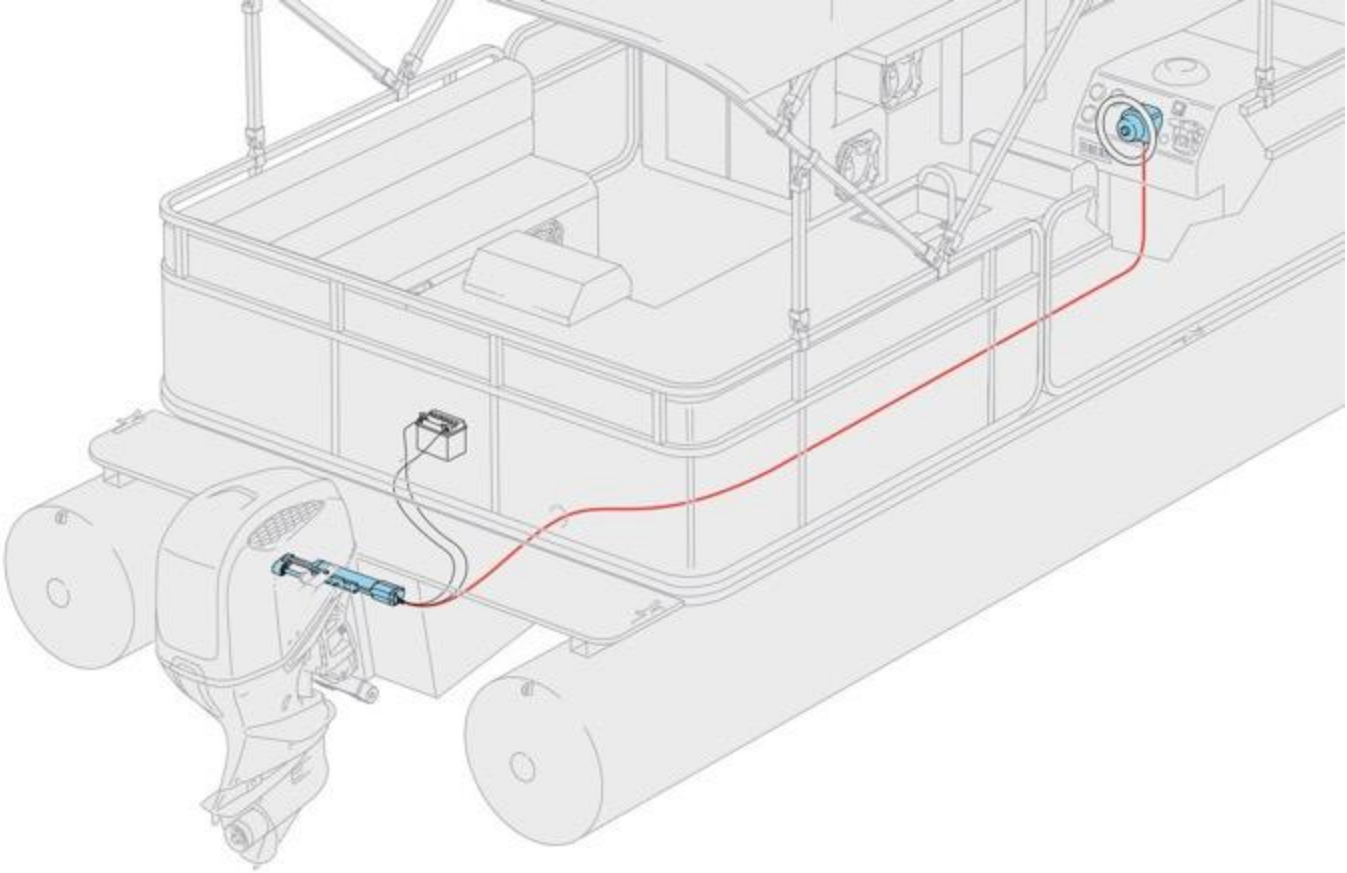
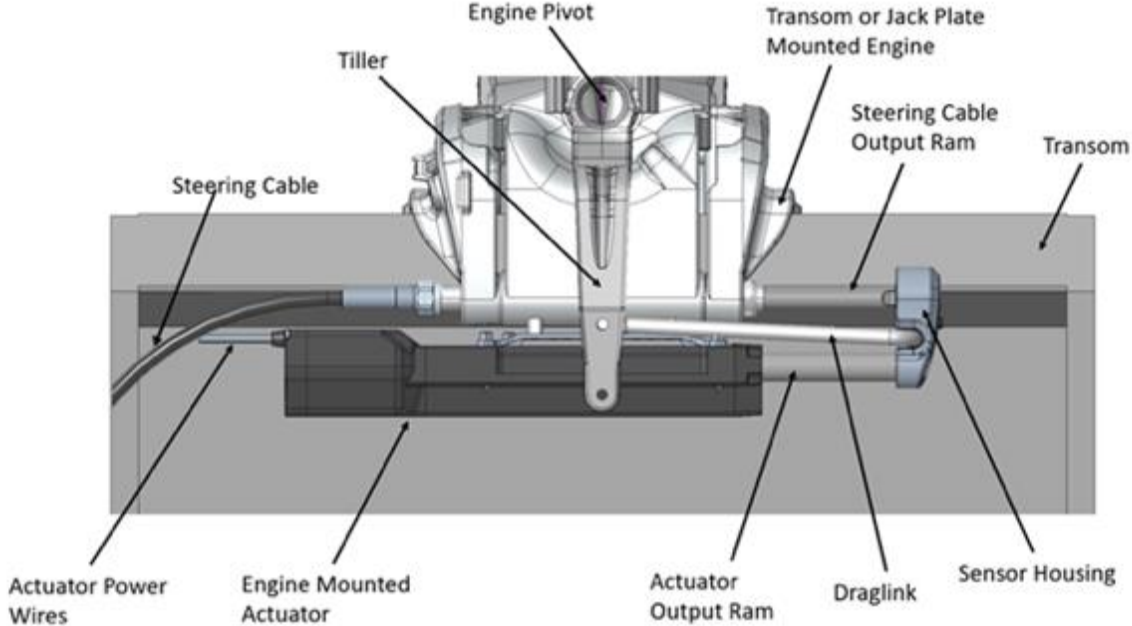
 **DOMETIC**

AGENDA

XPA DETAILED INSTALLATION

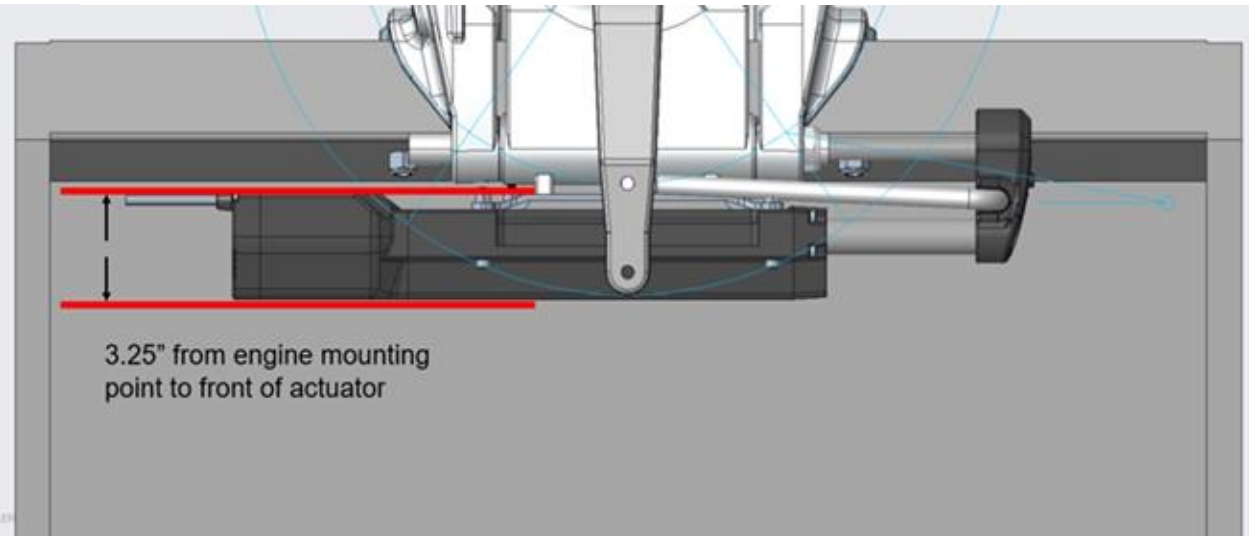
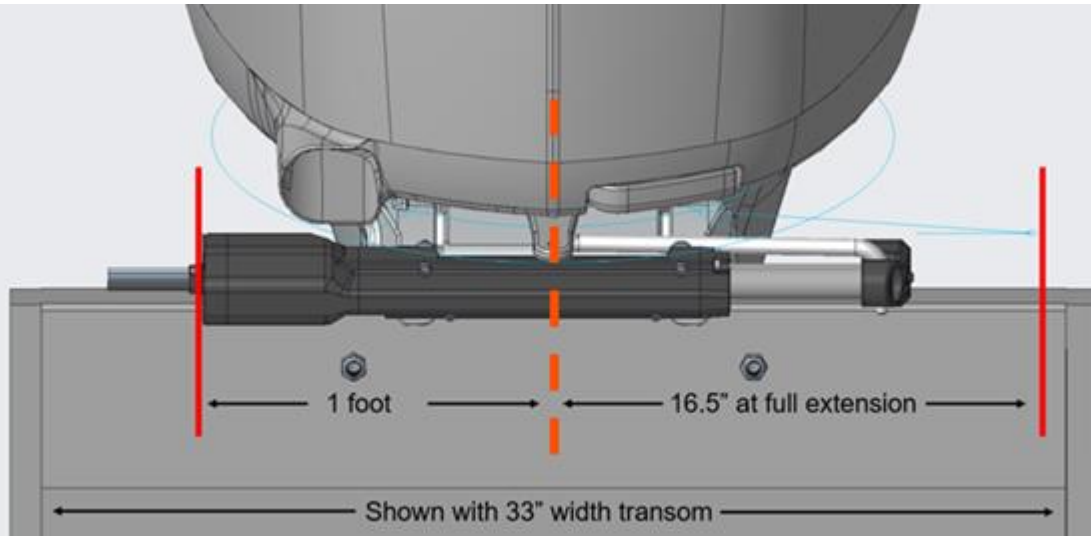
- Overview
- XPA splashwell footprint
- Identify parts
- Bracket installation
- Actuator mounting
- Cable attachment
- Electric harness
- Key switch connection
- Fill out Install Form

SYSTEM OVERVIEW

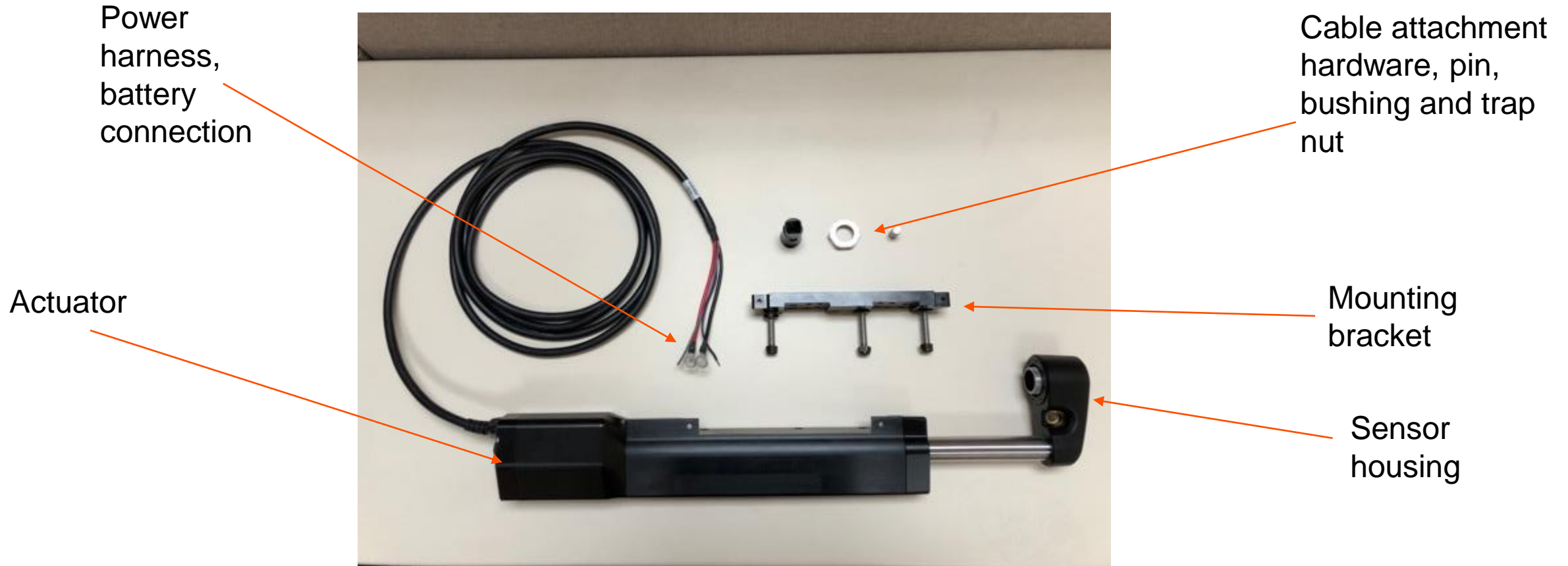


PRODUCT FOOTPRINT

Confirm product fitment



MAIN COMPONENTS



DISCONNECT LINK ARM FROM CABLE

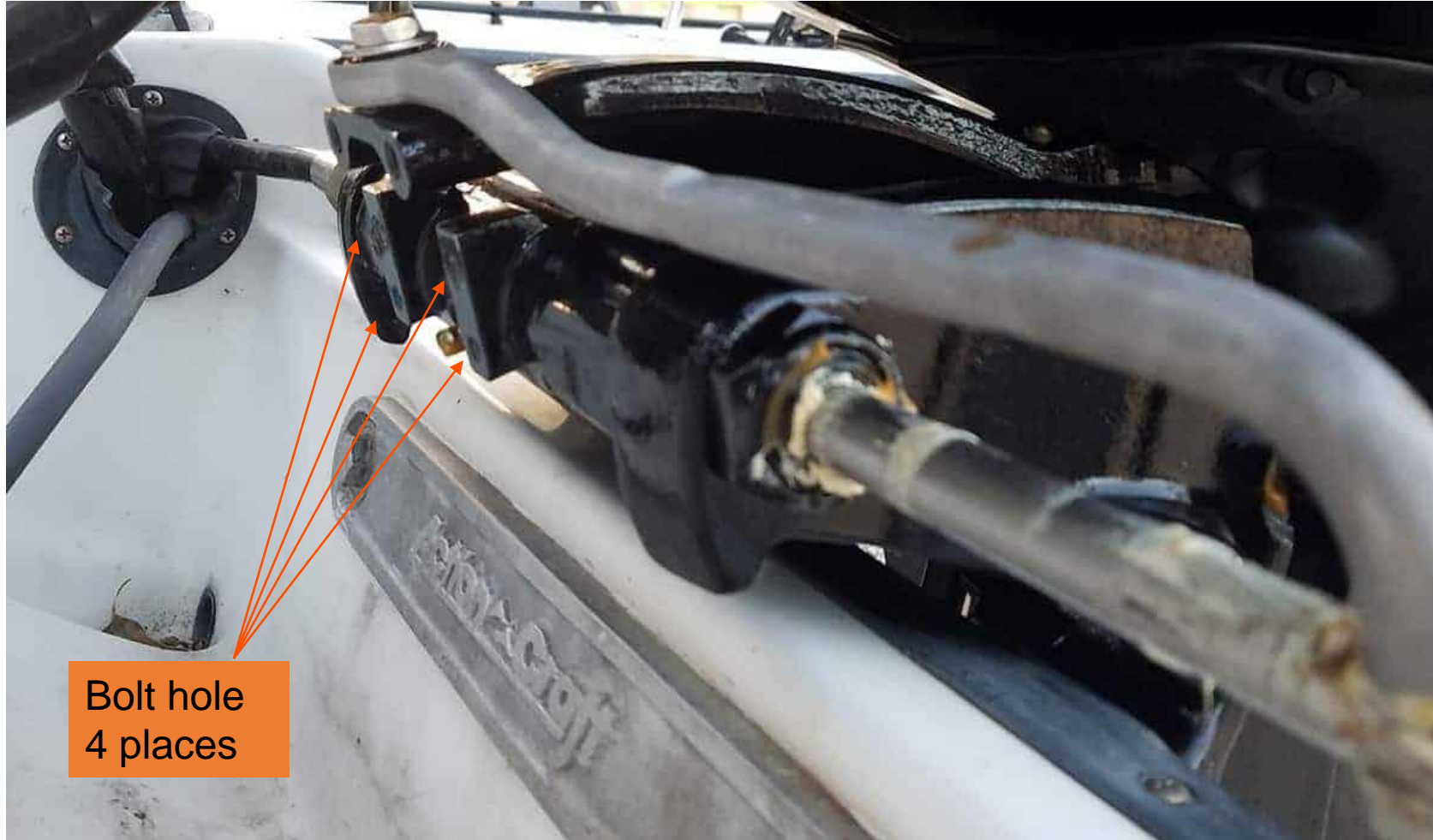


Loosen and remove nut/washer

Do NOT discard as they will be reused during installation

ENGINE MOUNTING POINTS

SIDE VIEW



Bolt hole
4 places

ENGINE MOUNT POINTS

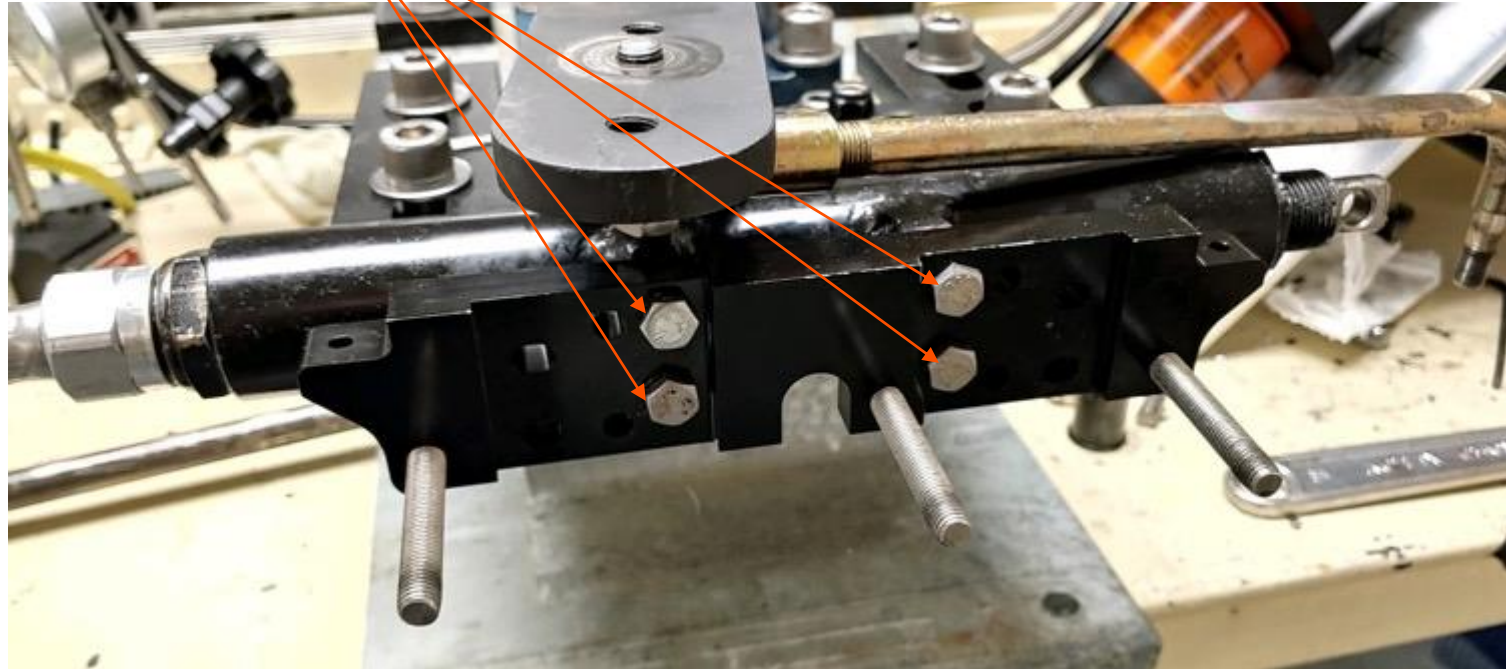
FRONT VIEW

Bolt hole
4 places



BRACKET ATTACHMENT TO ENGINE

Install 4 bolts
through bracket
into engine

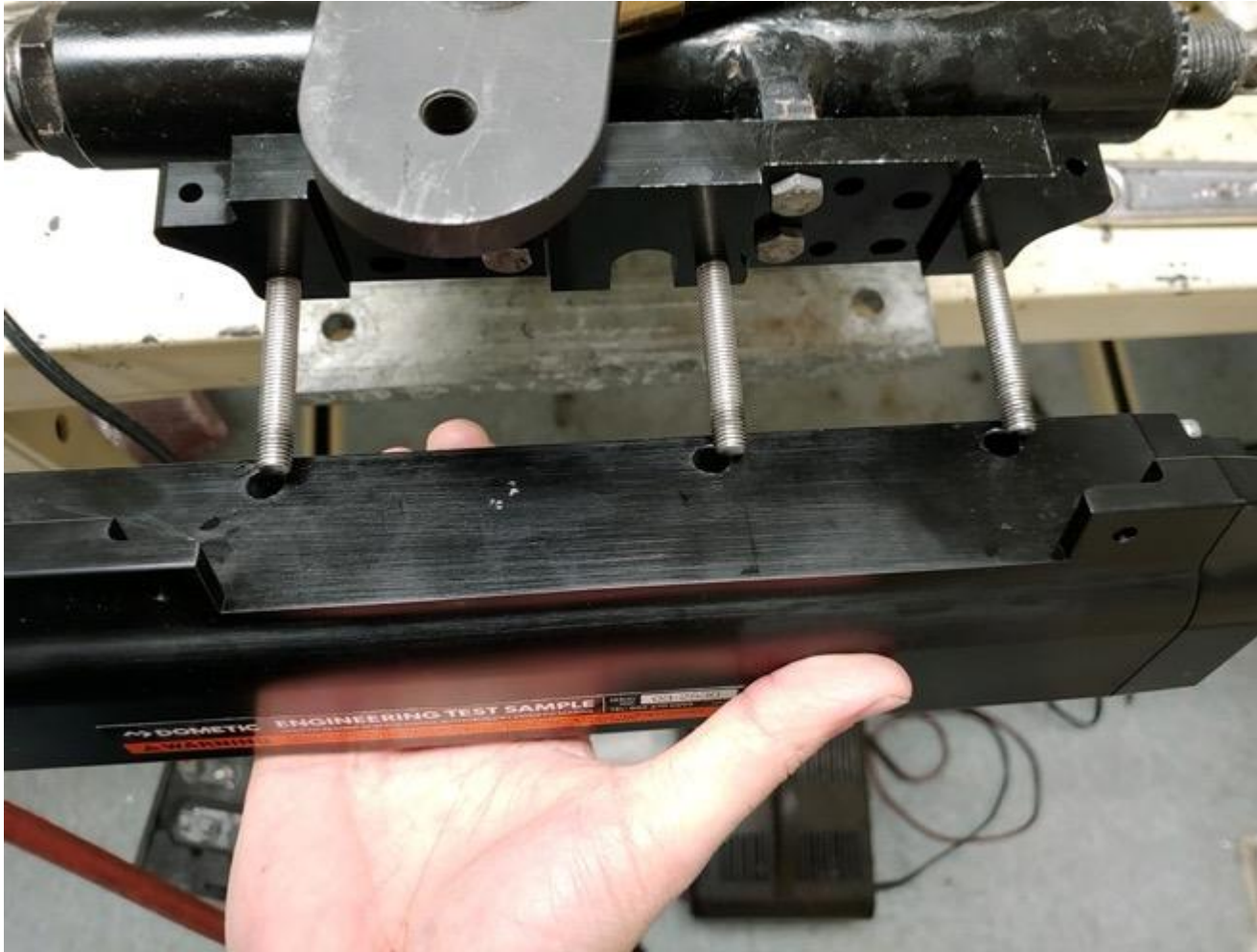


INSTALL ACTUATOR ON BRACKET



Mount actuator on three studs on bracket, actuator slides on studs, attach three nuts

ACTUATOR TO BRACKET



04/06/2021

11

ACTUATOR INSTALL ON BRACKET

STEP ONE: LINK ARM INTO SENSOR HOUSING *LINK ARM PROVIDED BY ENGINE MAKER*



INSTALL ACTUATOR ON BRACKET

STEP TWO: SLIDE ACTUATOR ONTO STUDS



INSTALL ACTUATOR ON BRACKET

STEP THREE: FULLY SEAT ACTUATOR ON BRACKET



ACTUATOR INSTALL ON BRACKET

STEP FOUR: INSTALL WASHERS AND NUTS



Install 3 nuts to hold actuator, torque to 150 in-lbs

ACTUATOR INSTALL ON BRACKET

STEP FIVE: TIGHTEN LOCK NUTS



ACTUATOR INSTALL ON BRACKET

STEP SIX: INSTALL LINK ARM NUT



ACTUATOR INSTALL ON BRACKET

STEP SIX: INSTALL LINK ARM NUT



04/06/2021

18

STEERING CABLE ATTACHMENT

STEP ONE: SLIDE ON TRAP NUT



STEERING CABLE ATTACHMENT

STEP TWO: SLIDE ON BUSHING



STEERING CABLE ATTACHMENT

STEP THREE INSERT PIN IN BUSHING



STEP FOUR: FULLY TIGHTEN TRAP NUT



Torque
trap nut to
150 in-lbs

POWER CONNECTIONS

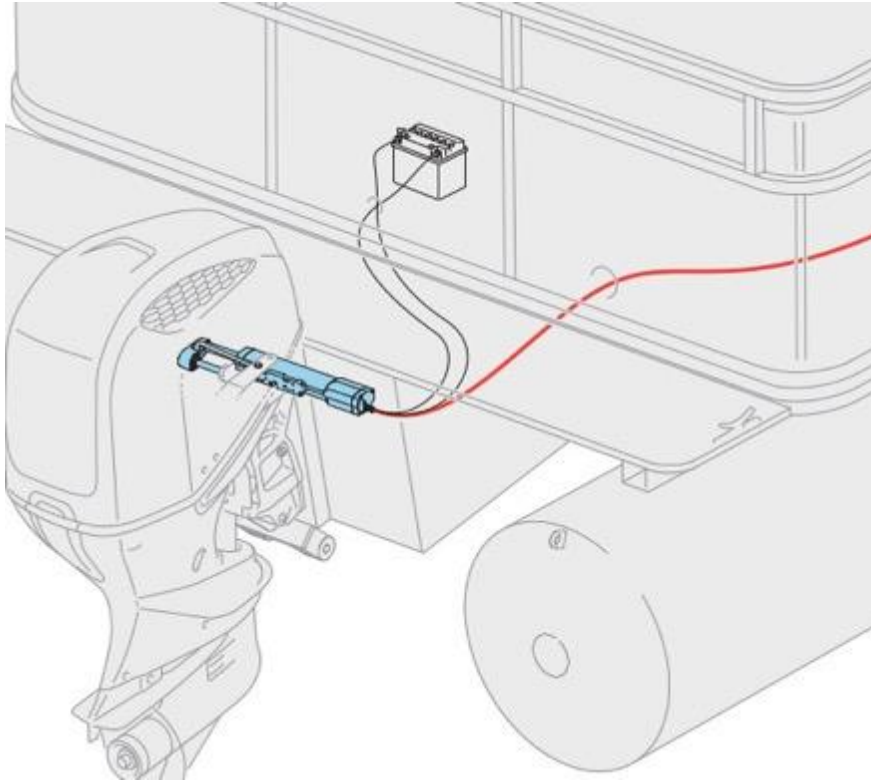
RED, PURPLE, BLACK WIRE

Red wire and purple wire to positive battery



Black wire to negative battery

ATTACH BATTERY



Attach battery harness wires. Red to positive 12 volts on battery, black to negative on battery. Purple wire to ignition switch “key on” position



Battery Ring terminal and ignition wire



↗ DOMETIC
**MOBILE LIVING
MADE EASY.**

Mobile living made easy.

SeaStar

↗ **DOMETIC**