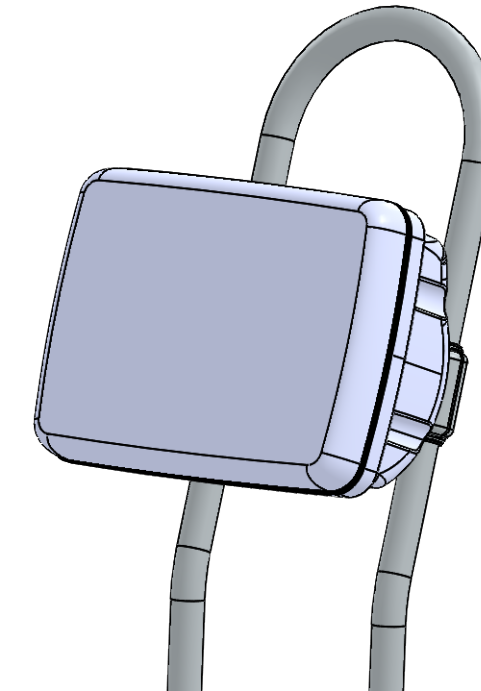
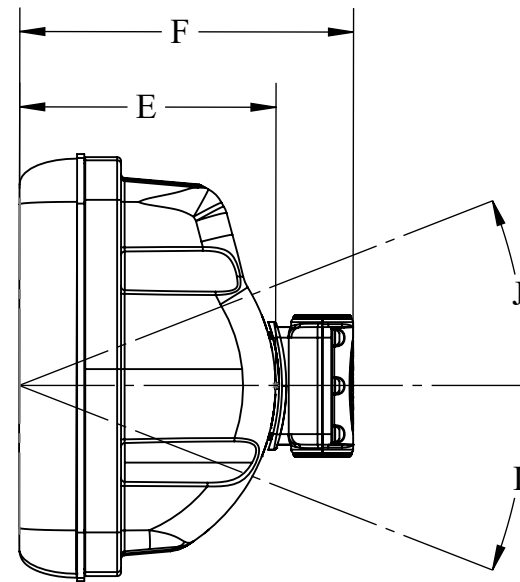
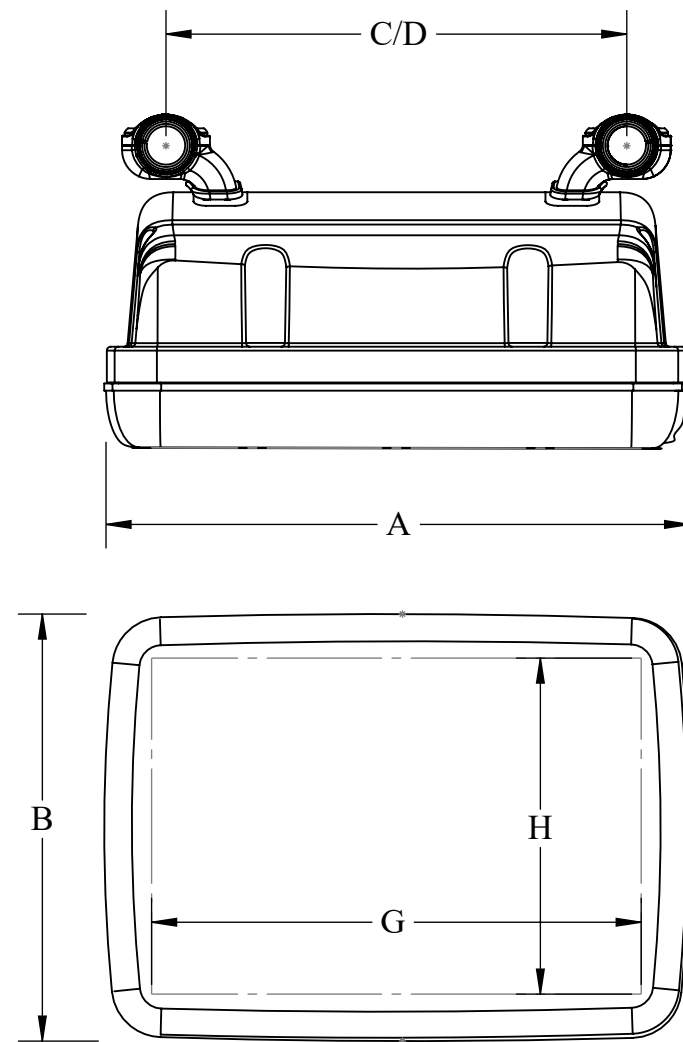


**NOTES:**

1. ALL PODS ARE UNCUT. SEAVIEW CAN PRE-CUT UPON REQUEST.
2. ELECTRONICS CHANGE OFTEN. PLEASE REFER TO WEBSITE FOR MOST UP TO DATE REFERENCE GUIDE.



Part #	Box Width (inch/mm)	Box Height (inch/mm)	Minimum Clamp Spacing (inch/mm)	Maximum Clamp Spacing (inch/mm)	Box Depth (min/max)	Overall Depth w/ Sail Clamps (inch/mm)	Usable Face Width (inch/mm)	Usable Face Height (inch/mm)	Max Angle	Max Angle
	A	B	C	D	E	F	G	H	I	J
SV1800S	13.2/335.3	9.98/253.5	2.4/61	11.03/280.2	5.64/143.3	7.64/194.1	11.13/282.6	8/203.2	27°	37°
SV1050S	15.24/387.1	11.12/282.4	2.4/61	13.34/338.8	6.66/169.2	8.66/220	12.75/323.9	8.75/222.3	27°	8°
SV1200S	16.62/422.1	11.42/290.1	2.4/61	14.12/358.6	5.85/148.6	7.85/199.4	15.18/385.6	9.85/250.2	27°	16°
SV1920S	21.17/537.7	12.96/329.2	2.4/61	18.35/466.1	7.02/178.3	9.02/229.1	18.36/466.3	10.61/269.5	24°	11°
SV1300S	16.67/423.4	6.37/161.8	2.4/61	14.85/377.2	3.82/97	5.82/147.8	15.3/388.6	5/127	0°	13°

## SAIL POD PART NUMBER GUIDE

**Notes:**

- Please note that some dimensions may not be shown.
- Do not scale drawing.
- For help, e-mail [info@seaviewglobal.com](mailto:info@seaviewglobal.com); ph. 1-800-655-7922.