

MP Point Push-to-Close Latch

Pull-to-open

- Single, round-hole installation
- Flush pop out knob
- Corrosion-resistant materials
- Keeper sold separately

Material and Finish

Housing: Glass-filled nylon
 Flange and knob: Zinc alloy, plated
 Cam: Zinc alloy
 Fixed keeper: Stainless steel
 Hooded keeper: Nylon, black

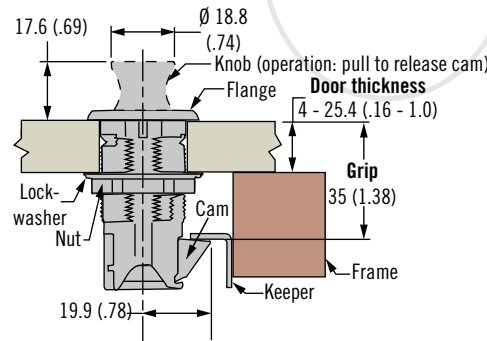
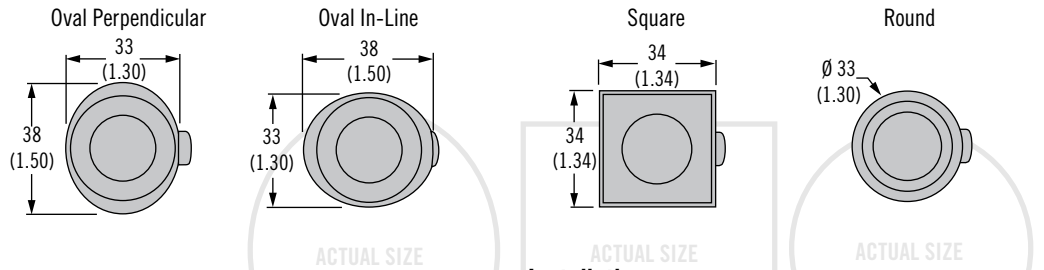
Installation Notes

Maximum tightening torque on mounting nut: 4.5 N·m (40 in·lbf)
 Fixed keeper: Use M5 or No. 10 screws to mount (not supplied)
 Hooded keeper: Use M5 or No. 10 screws to mount (not supplied)

Accessories

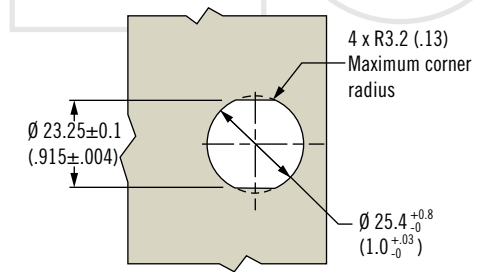
Matching pulls available see page 513

H Housing Style

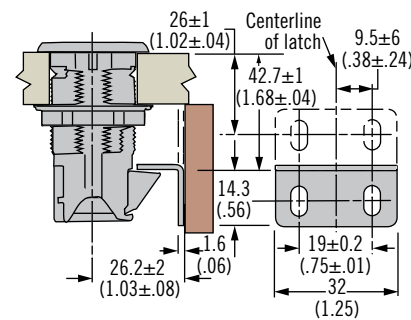


Installation

Latch Only (for keeper installation below)

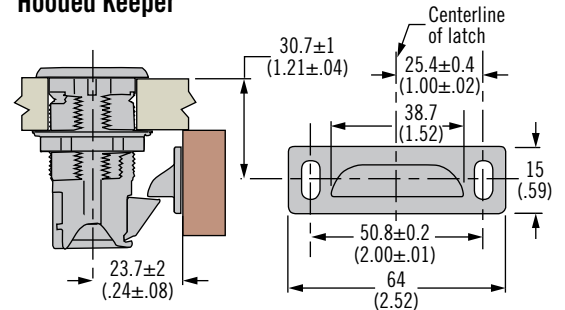


Fixed Keeper



Fixed Keeper	
M1-519-4	

Hooded Keeper



Hooded Keeper	
MP-510-16-4	

Part Number Selection

Latch only, keepers sold separately.

MP - 05 - H 2 - F K

H Housing style
 11 Oval perpendicular 21 Square
 12 Oval in-line 31 Round

F Flange finish
 1 Chrome plated 4 Diamond brass plated
 2 Satin chrome plated 5 Black powder coated
 3 Brushed nickel plated 6 Satin nickel plated

K Knob finish
 1 Chrome plated 4 Diamond brass plated
 2 Satin chrome plated 5 Black powder coated
 3 Brushed nickel plated 6 Satin nickel plated

Dimensions in millimeters (inch) unless otherwise stated

Other options available. For complete details on variety, part numbers, installation and specification, go to



www.southco.com/MP2