



"Have You Been Weaverized?"

Weaver Front Arc Worksheet

Name brand of dinghy with model number _____

A - Length of dinghy _____

B - Tube width (Tube diameter) _____

C - Tube height (Tube diameter) _____

D - Top to tubes to floor (1" away from the edge of the tube) _____

E - Width of Dinghy _____

F - Inside tube to inside tube _____

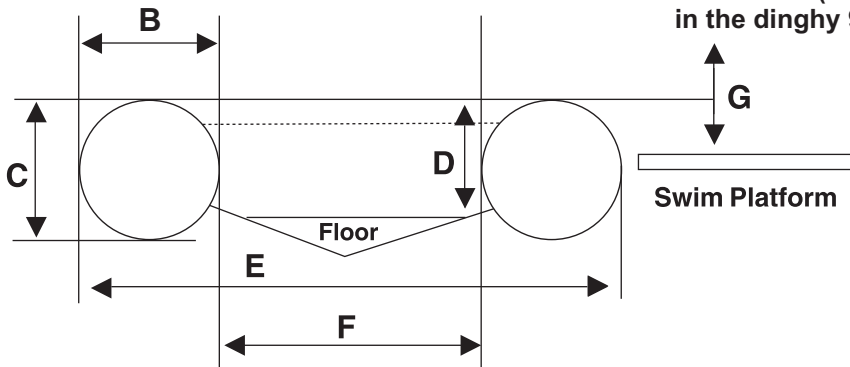
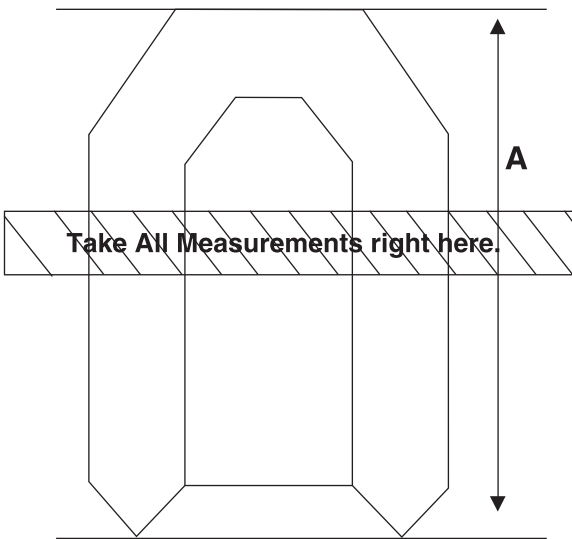
G - How many inches is the swim platform to the top of the tubes? (take this measurement how you will be in the dinghy 99 percent of the time)

(in the bow only fill in one)

_____ Inches Above Tubes

_____ Inches Below Tubes

_____ Level to Tubes



E-mail to sales@weaverindustries.com or fax to (208) 687-0782

Name (Print or type) _____
 Address _____
 City _____ ST _____ Zip _____
 Phone-Day _____ Eve _____
 Dealer Fisheries Supply, Seattle _____
 P.O. # _____

